



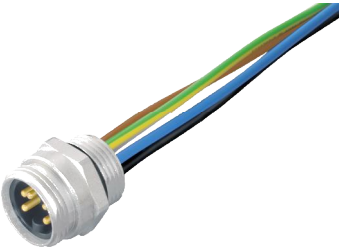
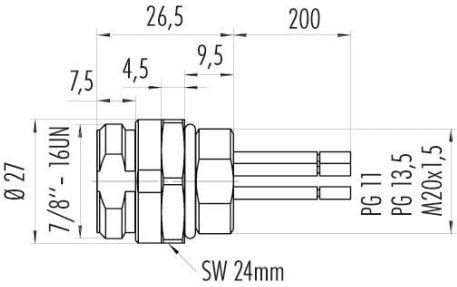
820 series – 7/8 Socket Connectors



- Male and female socket connectors 2+PE, 4, 4+PE
- AWG18 UL wires, 200 mm length
- Fastening threads PG11, PG13,5, M20 x 1,5
- Diecasted zinc housing, nickel plated
- PUR contact carrier
- Goldplated contacts
- Fastening nut available as accessory
- IP67 protection degree
- Serial parts available from February 2009


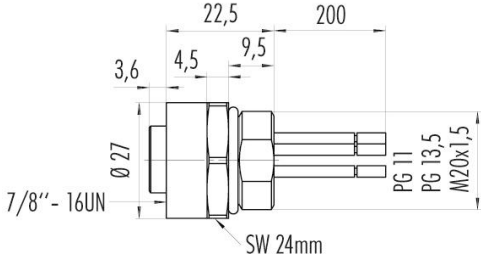


820 series – 7/8 Socket Connectors

Description / Picture	Drawing	Contacts	Fastening thread	Order No.
		2+PE	PG11 PG13,5 M20 x 1,5	09-2447-310-03 09-2447-300-03 09-2447-320-03
		4	PG11 PG13,5 M20 x 1,5	09-2449-310-04 09-2449-300-04 09-2449-320-04
		4+PE	PG11 PG13,5 M20 x 1,5	09-2451-310-05 09-2451-300-05 09-2451-320-05



820 series – 7/8 Socket Connectors

Description / Picture	Drawing	Contacts	Befestigungs- gewinde	Ordering Nr.
		2+PE	PG11 PG13,5 M20 x 1,5	09-2446-310-03 09-2446-300-03 09-2446-320-03
		4	PG11 PG13,5 M20 x 1,5	09-2448-310-04 09-2448-300-04 09-2448-320-04
		4+PE	PG11 PG13,5 M20 x 1,5	09-2450-310-05 09-2450-300-05 09-2450-320-05

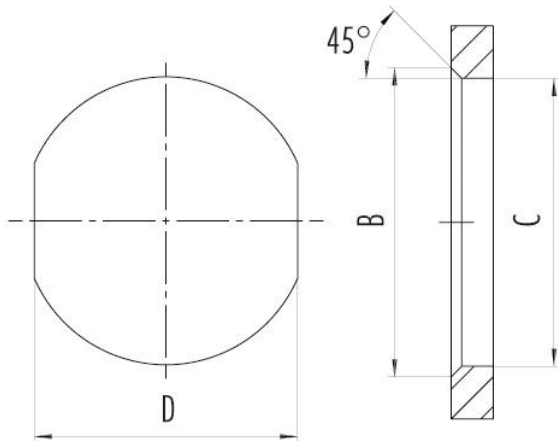


820 series – 7/8 Socket Connectors

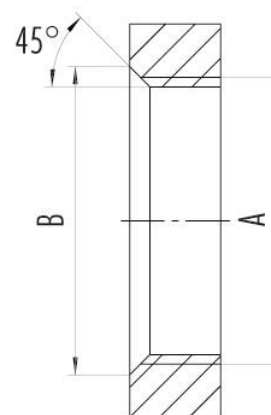
Mounting instruction:

Mit Durchgangsbohrung/*With bore hole*

Alternativ mit Fläche als Verdrehschutz
alternatively with spanner as an anti-rotation feature



Mit Gewinde, einschraubbar/*With thread to screw in*



	A	B	C	D
PG11	PG11	20,2	18,7	17,0
PG13,5	PG13,5	22,0	20,5	18,8
M20x1,5	M20x1,5	21,6	20,1	17,8

Anzugsdrehmoment nach DIN VDE 0619
Tightening moment acc. to DIN VDE 0619

Metallgehäuse/*Metal housing*

6,25 Nm