




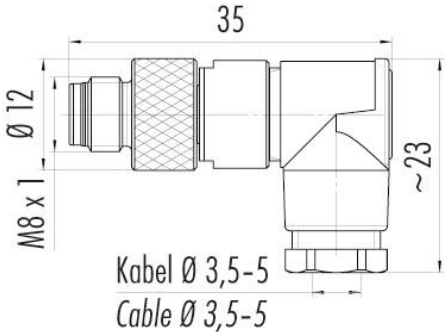

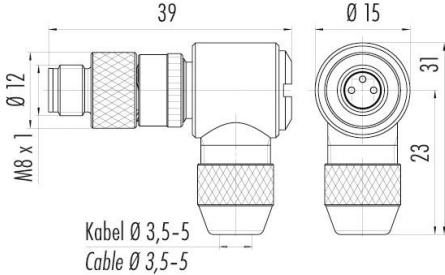
## 768 series – Male angled cable connectors with solder termination and full plastic contact carrier



- Metal sleeve will be changed to full plastic contact carrier
- Wire gage is extended from 0,25 mm<sup>2</sup> to 0,34 mm<sup>2</sup>
- Shieldable and non-shieldable angled connector with solder termination
- Improved insulation in the contact area due to plastic barrier
- Improved IP67 degree and electrostatic discharge
- Prices and order numbers remain the same
- Gradual launch from August 2008 on.



## 768 series – Male angled cable connectors with solder termination and full plastic contact carrier

Description / picture	Dimensional drawing	Contacts	Order No.
Male angled connector, solder  		3	99-3385-00-03
Male angled connector, solder, shieldable  		3	99-3365-00-03
		4	99-3367-00-04