




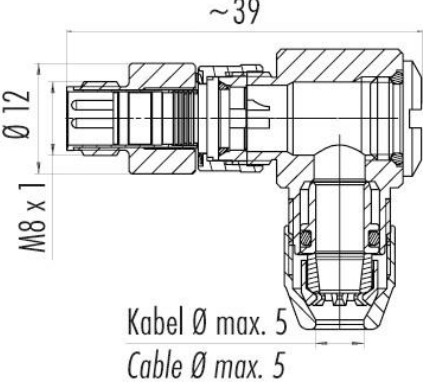

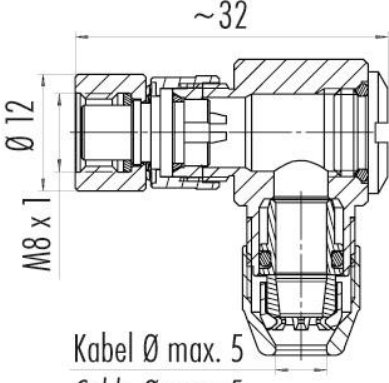
## 768 series - Shieldable M8 Angled Connectors with Solder Termination



- Male angled connector, female angled connector, 3+4 poles, shieldable, solder termination
- Cable outlet 3,5 – 5 mm
- Degree of protection IP67
- Wirecross section max. 0,25 mm<sup>2</sup>
- 360° shielding via shielding sleeve
- Diecasted zinc housing, nickel plated



## 768 series - Shieldable M8 Angled Connectors with Solder Termination

description / picture	Drawing	Contacts	Ordering Nr.
<p>Male angled connector, shieldable, solder contacts</p> 	 <p>~39</p> <p>Ø 12</p> <p>M8 x 1</p> <p>Kabel Ø max. 5 Cable Ø max. 5</p>	<p>3</p> <p>4</p>	<p>99-3365-00-03</p> <p>99-3367-00-04</p>
<p>Female angled connector, shieldable, solder contacts</p> 	 <p>~32</p> <p>Ø 12</p> <p>M8 x 1</p> <p>Kabel Ø max. 5 Cable Ø max. 5</p>	<p>3</p> <p>4</p>	<p>99-3364-00-03</p> <p>99-3366-00-04</p>

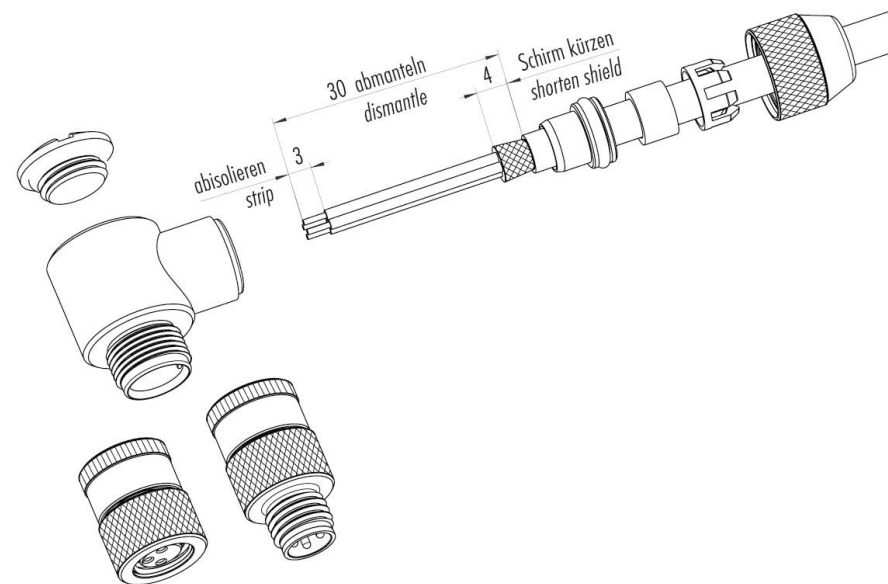


## 768 series - Shieldable M8 Angled Connectors with Solder Termination

### Assembly instruction:

1. Teile auffädeln
2. Abisolieren, Schirm kürzen und aufweiten
3. Litzen durch Gehäuse fädeln, Schirmring, Dichtring, Klemmkorb montieren.  
Druckschraube andrehen, um das Kabel zu fixieren.  
Litzen anlöten.
4. Gehäuse mit Stecker- bzw. Buchseneinsatz verschrauben und Druckschraube festdrehen.

1. Stringing parts
2. Stripping, shortening and widening of shield
3. Mount wires through housing, assemble shielding ring, seal and pinch ring.  
Pull on pressing screw to fix the cable.  
Solder wires.
4. Screw housing with male, respectively female insert and seize pressing screw.





## 768 series - Shieldable M8 Angled Connectors with Solder Termination

Component part drawing:

