




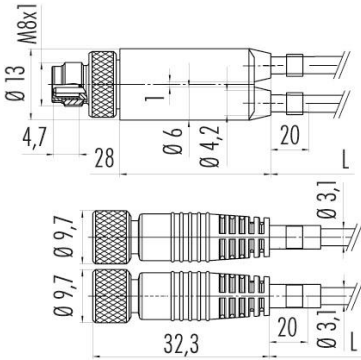
765 series – Dual Mode Connector M8-M8



- Connector M8, 4 pole to 2 x M8 socket, 3 pole
- lengths 0,3 m, 0,6 m, 1 m, further versions on request
- PUR coating
- Cables marked with „A“ and „B“
- Applied for the connection of two sensors onto an M8 E/A plug-in port
- Optional combination M8-female to 2 x M8 male connector



765 series – Dual Mode Connector M8-M8

description/ picture	drawing	Contacts/ cable	Cable length	Ordering Nr.
Dual Mode connector M8-M8, 2 female cable M8 		3 / 4 3 x 0,14 mm ²	0,3 m 0,6 m 1,0 m	79-5203-03-04 79-5203-06-04 79-5203-10-04

Cable specification:

Cross section: 0,14 mm²

Cable coating: PUR

Cable diameter: 3,1 mm

Temperature unremoved condition: -25°C bis +80°C

Temperature moved condition: -5°C bis +80°C

Wiring:

