




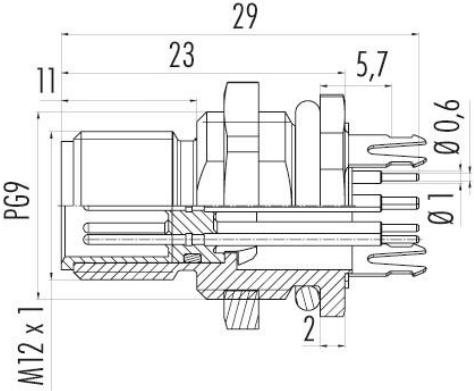
763/ 766/ 876 series – M12 Socket Connectors with Shielding Sheet



- Male and female socket, front fastened with dipsolder contacts and shielding sheet
- in A-, B-, D-coding
- 4, 5 and 8 pole
- by snapping in the connector onto the circuit board the connector is safely fixed on it by the shielding sheet before the soldering process.
- Gold-plated contacts, tin plated shielding sheet
- Torsional protection by key surface SW 13,4
- Degree of protection IP67 in mated and locked condition


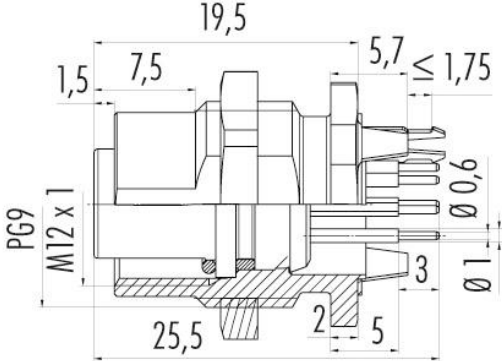


763/ 766/ 876 series – M12 Socket Connectors with Shielding Sheet

description/ Picture	drawing	Coding/ series	contacts	Ordering-No.
Male socket front fastened, dip solder contacts, shielding sheet 		A/ 763	4	09-3431-500-04
			5	09-3441-500-05
			8	09-3481-500-08
		B/ 766	5	09-4441-500-05



763/ 766/ 876 series – M12 Socket Connectors with Shielding Sheet

description/ Picture	drawing	Coding/ series	contacts	Ordering-No.
Female socket front fastened, dip solder contacts, shielding sheet 		A/ 763	4	09-3432-500-04
			5	09-3442-500-05
			8	09-3482-500-08
		B/ 766	5	09-4442-500-05
		D/ 876	4	09-3732-500-04

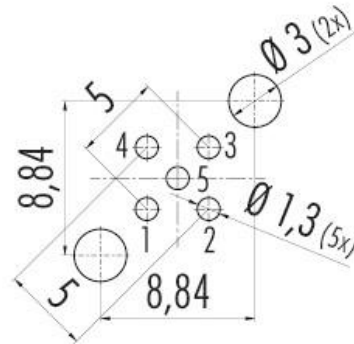


763/ 766/ 876 series – M12 Socket Connectors with Shielding Sheet

PCB layout:

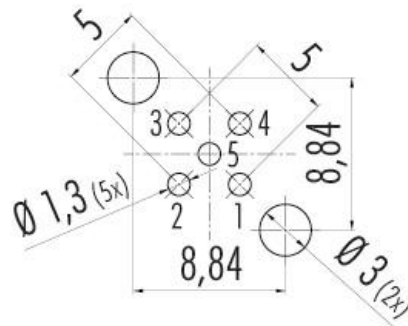
09-3441-500-05:

Bohrung für Schirmblech
Drilling for shielding sheet



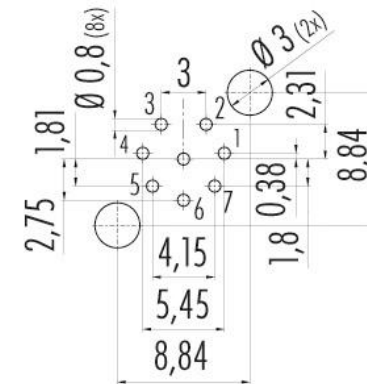
09-3442-500-05:

Bohrung für Schirmblech
Drilling for shielding sheet



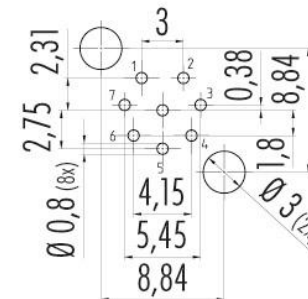
09-3481-500-08:

Bohrung für Schirmblech
Drilling for shielding sheet



09-3482-500-08:

Bohrung für Schirmblech
Drilling for shielding sheet





763/ 766/ 876 series – M12 Socket Connectors with Shielding Sheet

Panel cut out:

Montageausschnitt mit Durchgangsbohrung
Alternativ mit Fläche als Verdrehschutz

*Panel cut out with through-hole
Alternatively with flut for anti-rotation*

