




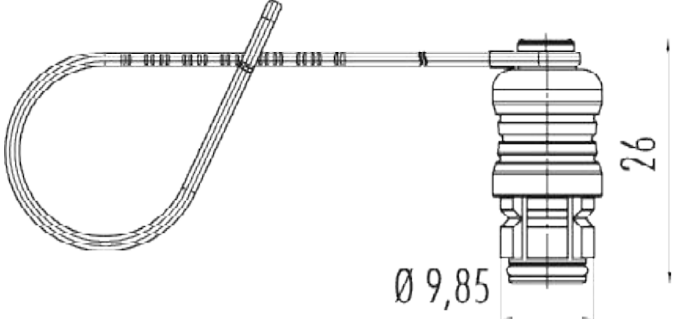

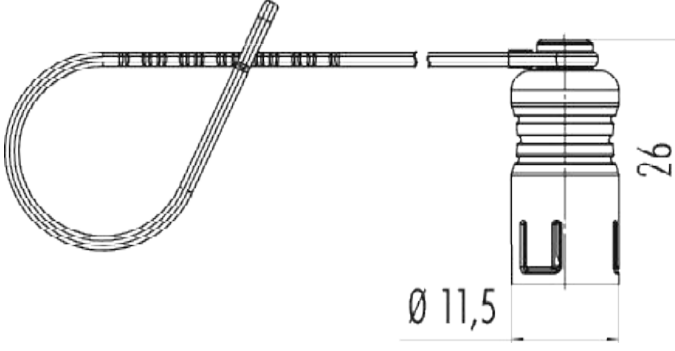
620 serie – Snap-In IP 67 Protective Caps



- Protective caps for cable and socket parts 620 serie
- In mated condition the caps meet the IP 67 requirements.
- The cable part versions have got a 125 mm strap and the ones for the socket parts have got a length of 70 mm.
- Protective caps made of PA, straps made of PUR, sealing made of NBR




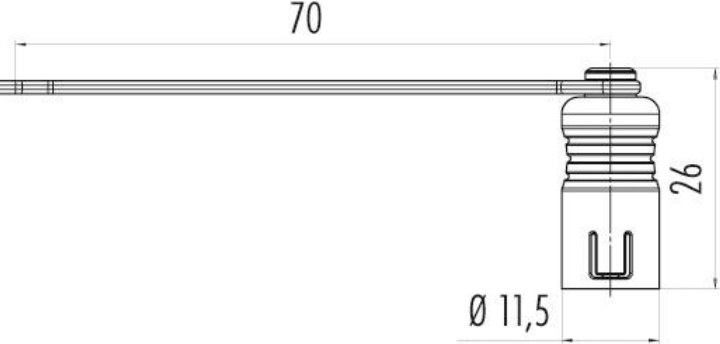


620 serie– Snap-In IP 67 Protective Caps

Description / Picture	Drawing	Ordering-No.
<p>Protection cap for male cable connector</p> 		<p>08-2813-000-000</p>
<p>Protection cap for female cable connector</p> 		<p>08-2823-000-000</p>



620 serie– Snap-In IP 67 Protective Caps

Description / Picture	Drawing	Ordering-No.
<p>Protection cap for male socket</p> 		<p>08-2839-000-000</p>
<p>Prptection cap for female socket</p> 		<p>08-2831-000-000</p>