




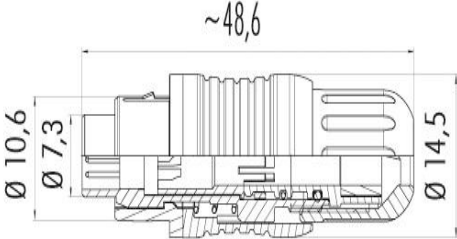

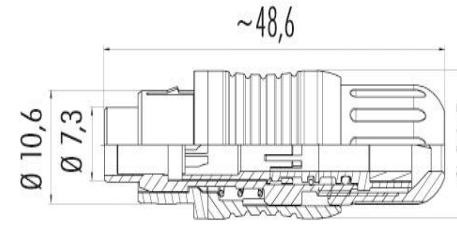
430 series – Subminiature Push-Pull Connectors



- Connector with Push-Pull locking
- Degree of protection IP67/ IP40
- Shielded cable connector with excellent EMI protection
- Cable outlet 3,5 - 5 mm
- Pressing screw with immunity to vibration


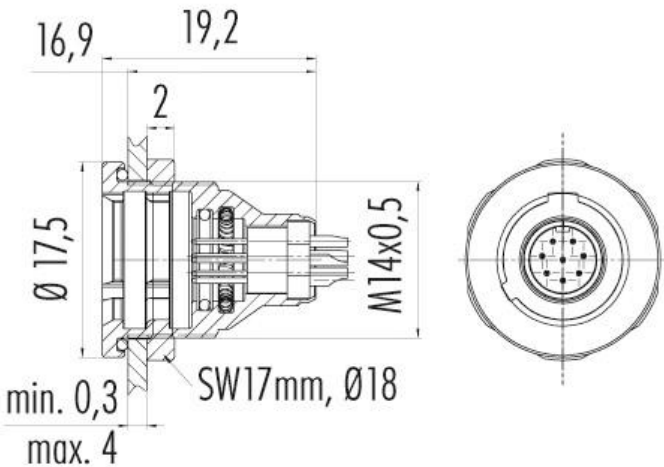


430 series – Subminiature Push-Pull Connectors

| Description/ Figure | Drawing | Contacts | Ordering-No. |
|---|--|----------|---------------|
| Male cable connector  |  | 3 | 99-4905-00-03 |
| | | 4 | 99-4909-00-04 |
| | | 5 | 99-4913-00-05 |
| | | 7 | 99-4925-00-07 |
| | | 8 | 99-4929-00-08 |
| Female cable connector  |  | 3 | 99-4906-00-03 |
| | | 4 | 99-4910-00-04 |
| | | 5 | 99-4914-00-05 |
| | | 7 | 99-4926-00-07 |
| | | 8 | 99-4930-00-08 |


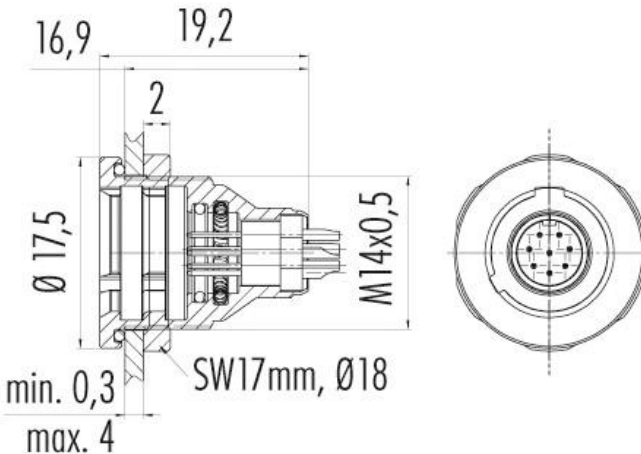


430 series – Subminiature Push-Pull Connectors

| Description/ Figure | Drawing | Contacts | Ordering-No. | | | | |
|---|---|----------|----------------|------------------|------------------|------------------|------------------|
| <p>Male socket</p>  |  | 3 | 09-4907-00-03 | IP67 shielded | | | |
| | | 4 | 09-4911-00-04 | | IP67 shielded | | |
| | | 5 | 09-4915-00-05 | | | IP67 shielded | |
| | | 7 | 09-4927-00-07 | | | | IP67 shielded |
| | | 8 | 09-4931-00-08 | | | | |
| | | 3 | 09-4907-015-03 | IP67 | | | |
| | | 4 | 09-4911-015-04 | | IP67 | | |
| | | 5 | 09-4915-015-05 | | | IP67 | |
| | | 7 | 09-4927-015-07 | | | | IP67 |
| | | 8 | 09-4931-015-08 | | | | |
| | | 3 | 09-4907-025-03 | IP40 | | | |
| | | 4 | 09-4911-025-04 | | IP40 | | |
| | | 5 | 09-4915-025-05 | | | IP40 | |
| | | 7 | 09-4927-025-07 | | | | IP40 |
| | | 8 | 09-4931-025-08 | | | | |


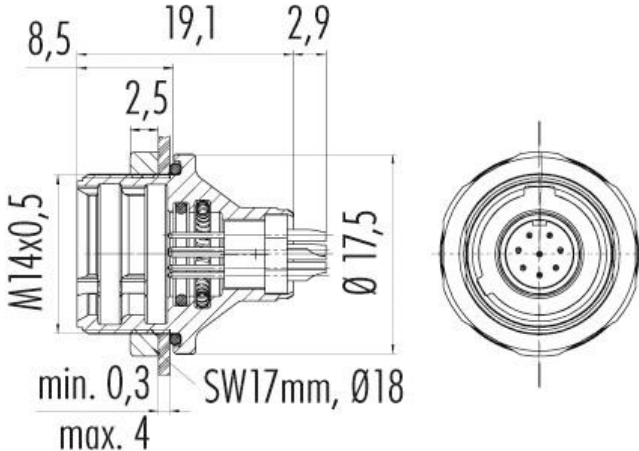


430 series – Subminiature Push-Pull Connectors

| Description/ Figure | Drawing | Contacts | Ordering-No. | |
|---|---|----------|----------------|------------------|
| <p>Female socket</p>  |  | 3 | 09-4908-00-03 | IP67 shielded |
| | | 4 | 09-4912-00-04 | |
| | | 5 | 09-4916-00-05 | |
| | | 7 | 09-4928-00-07 | |
| | | 8 | 09-4932-00-08 | |
| | | 3 | 09-4908-015-03 | IP67 |
| | | 4 | 09-4912-015-04 | |
| | | 5 | 09-4916-015-05 | |
| | | 7 | 09-4928-015-07 | |
| | | 8 | 09-4932-015-08 | |
| | | 3 | 09-4908-025-03 | IP40 |
| | | 4 | 09-4912-025-04 | |
| | | 5 | 09-4916-025-05 | |
| | | 7 | 09-4928-025-07 | |
| | | 8 | 09-4932-025-08 | |


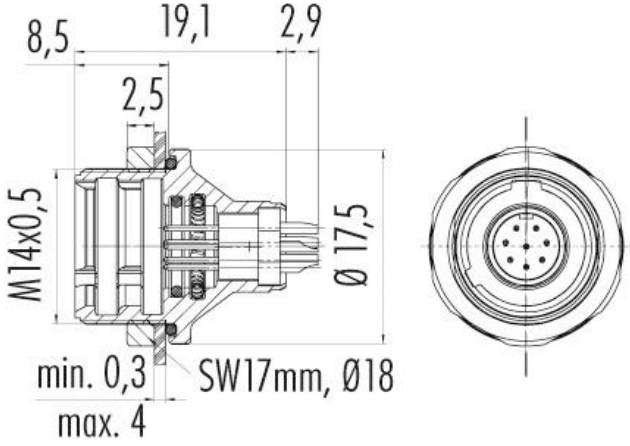


430 series – Subminiature Push-Pull Connectors

| Description/ Figure | Drawing | Contacts | Ordering-No. | |
|---|---|----------|----------------|------------------|
| <p>Male socket, front fastened</p>  |  | 3 | 09-4907-081-03 | IP67 shielded |
| | | 4 | 09-4911-081-04 | |
| | | 5 | 09-4915-081-05 | |
| | | 7 | 09-4927-081-07 | |
| | | 8 | 09-4931-081-08 | |
| | | 3 | 09-4907-080-03 | IP67 |
| | | 4 | 09-4911-080-04 | |
| | | 5 | 09-4915-080-05 | |
| | | 7 | 09-4927-080-07 | |
| | | 8 | 09-4931-080-08 | |



430 series – Subminiature Push-Pull Connectors

| Description/ Figure | Drawing | Contacts | Ordering-No. | |
|---|---|----------|----------------|------------------|
| <p>Female socket, front fastened</p>  |  | 3 | 09-4908-081-03 | IP67 shielded |
| | | 4 | 09-4912-081-04 | |
| | | 5 | 09-4916-081-05 | |
| | | 7 | 09-4928-081-07 | |
| | | 8 | 09-4932-081-08 | |
| | | 3 | 09-4908-080-03 | IP67 |
| | | 4 | 09-4912-080-04 | |
| | | 5 | 09-4916-080-05 | |
| | | 7 | 09-4928-080-07 | |
| | | 8 | 09-4932-080-08 | |