

new

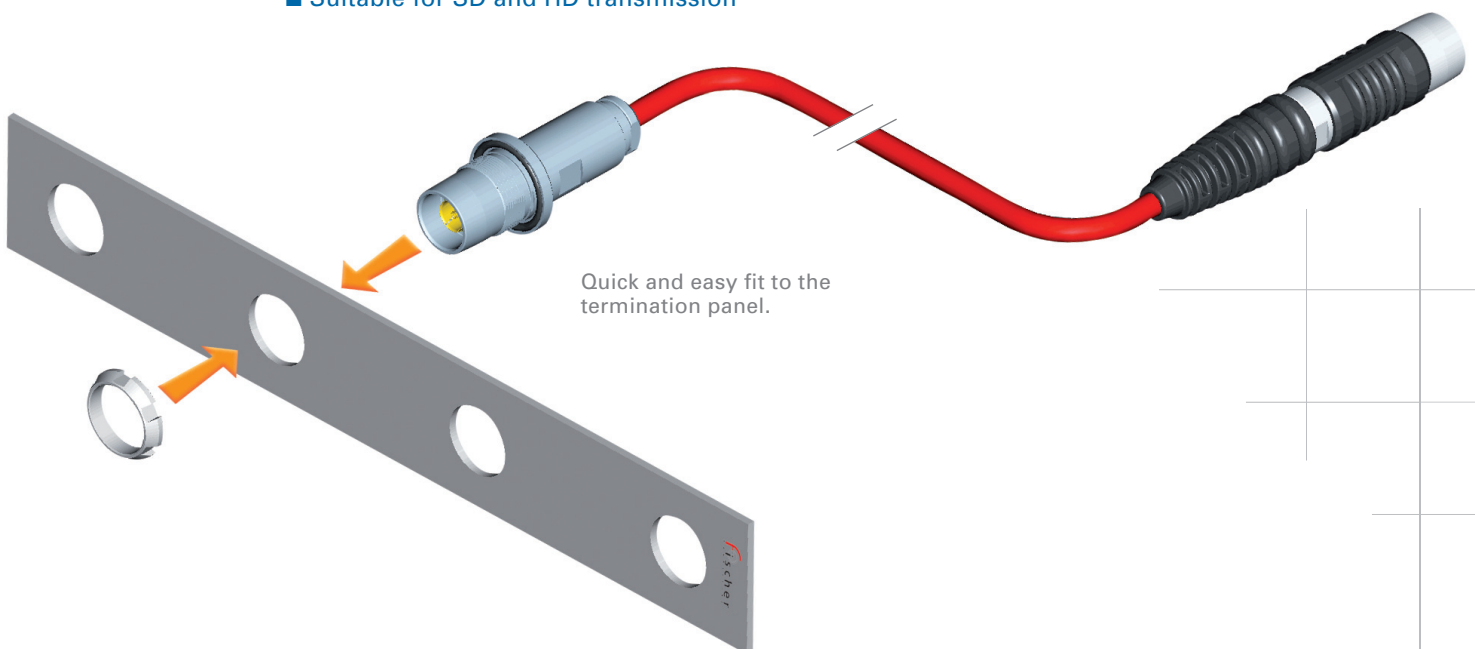
■ Rear-mounted cable receptacle: DKBE

Offering a high level of flexibility to system integrators and installation engineers, Fischer Connectors are complementing their Triax 1051 A004 Series, with a new rear-mounted cable receptacle: the DKBE 1051 A004-3+

The new DKBE connector has been developed to enable pre-wiring of triaxial cables before fitting into OB vehicles or fixed studio applications. It can be pre-assembled along with its opposite gender on the other end of cable. The complete assembly can then be quickly and easily fitted to the termination panel without the need to pass cable mounted plugs or sockets through the panel hole.

■ DKBE key benefits

- Pre-wiring of cables, no on-site assembly needed
- Rapid and simplified installation
- Increased space inside panel/equipment (~10 mm more)
- Sealed up to IP68 (2m/24h)
- Compatible with all connectors of the 1051 A004 Series (refer to 1051 A004 Series catalogue for details)
- Suitable for SD and HD transmission



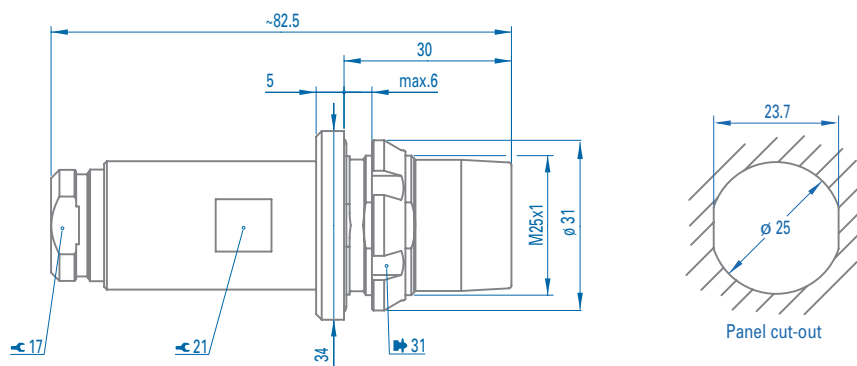
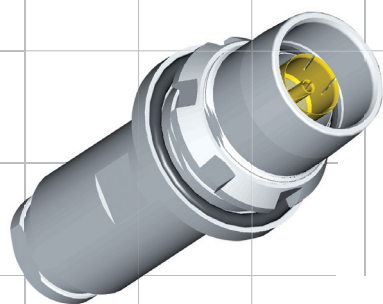
www.fischerconnectors.com

Visit the Library Section of our website to download the complementary 1051 A004 Series catalogue.

Comprehensive technical information and termination procedures are also available for download from our online technical library at www.fischerconnectors.com/technical

New DKBE Cable Receptacle

■ For $\varnothing 8.5\text{mm}$ to $\varnothing 11.3\text{mm}$ cables



Receptacle part number	Cable group ¹	Cable clamp part number
DKBE 1051 A004-3+	1	E3 1051.1/A004-3/1.0/4.5/8.7
	2	E3 1051.1/A004-3/1.0/4.5/9.4
	2	E3 1051.1/A004-3/1.4/4.5/9.4
	3	E3 1051.1/A004-3/1.4/6.6/11.3

¹ See table below for list of recommended cables

Tooling	Part number	Suitable for
Nutdriver ➡	TQ00.005	$\varnothing 31$

Recommended triaxial camera cables 75 Ω

	Cable			Cable diameters ¹ [mm]			Suitable connectors ²	Suitable clamp set
	Brand	Type	Reference	Core	Dielectric	Ext.		
1	Bedeia	Standard 8 (PUR)	–	1.0	4.5	8.5	SE+KE 1051 A004-9+ DS+DB 1051 A004-3 1.0/5.0 DSQ+DBQ 1051 A004-3 1.0/5.0 DSR+DKE+DKBE 1051 A004-3+	E3 1051.1/A004-9/1.0/4.5/8.7 N/A N/A E3 1051.1/A004-3/1.0/4.5/8.7
	Bedeia	Superflex 8 (TPE flex)	–	1.0	4.5	8.6		
	Belden	Triax 8	7783A	1.0	4.5	8.4		
	Draka	Triax 8 (PVC)	CT2765700	1.0	4.5	8.4		
	Draka	Triflex 8 (PUR)	CT2767900	1.0	4.5	8.4		
	Intercond	8.5mm (PVC or PUR)	RX 75/55	1.0	4.7	8.5		
	Fujikura	4.8/1.0 EFTXF	–	1.0	4.8	8.6		
	Hirakawa	TRIAX 4.8/1.0-TUFRET	3118-250	1.0	4.8	8.8		
2	Belden	–	9267, 1857A	0.8	3.7	9.2	SE+KE 1051 A004-9+ DS+DB 1051 A004-3 1.0/5.0 DSQ+DBQ 1051 A004-3 1.0/5.0 DSR+DKE+DKBE 1051 A004-3+	E3 1051.1/A004-9/1.0/4.5/9.4 E3 1051.1/A004-9/1.4/4.5/9.4 N/A N/A E3 1051.1/A004-3/1.0/4.5/9.4 E3 1051.1/A004-3/1.4/4.5/9.4
	Draka	Triax 8 (FRNC) Reinforced	CT2853203	1.0	4.5	9.0		
3	Belden	Triax 11	7784AS	1.4	6.5	11.2	SE+KE 1051 A004-9+ DS+DB 1051 A004-3 1.4/6.6 DSR+DKE+DKBE 1051 A004-3+	E3 1051.1/A004-9/1.4/6.6/11.3 N/A E3 1051.1/A004-3/1.4/6.6/11.3
	Intercond	11.0mm (PVC or PUR)	RX 75/56	1.4	6.5	11.0		
	Bedeia	Standard 11 (PUR)	–	1.4	6.5	11.0		
	Bedeia	Superflex 11 (TPE flex)	–	1.4	6.0	11.3		
	Draka	Triax 11 (PVC)	CT2766400	1.4	6.5	11.0		
	Draka	Triflex 11 (PUR)	CT2768100	1.4	6.5	11.0		

Please note that the above list is a guideline only, not all cables available in the marketplace are listed.

¹ The cable dimensions listed are reference only, sizes may fluctuate during production.

² Connector types for other cables not listed are by request.